

LED CANOPY LAMP

HW-CAN-01-PS-CCT



The CAN-01 Selectable Canopy Light is a contractor experience LED canopy light - designed to save you money, save you time, and install quickly.

3 selectable lumen outputs for different ceiling heights and 3 selectable CCT color outputs.

Fast installation that's prime for an easy retrofit - engineered with your experience first.

FEATURES

- Built in high luminous efficiency LED Chip and Driver.
- 3 Level Power Switchable
- Fast connection, IP65

APPLICATION

- Industrial Areas
- Sidewalks
- Commercial Areas
- Parks
- Schools
- And others.

Indoor / Outdoor



LED



Multi Wattage Switchable



Multi Color Temperature (CCT)



Easy Installation



Water Proof

OPTICAL DATA

Color Temperature (CCT)	4000K, 5000K, 6000K
Lumens	6,446 lm / 9072 lm / 12648 lm
Beam Angle	120°
Type of Distribution	Direct Symmetrical
Life Span	50 000 H
Weight	2.2kg

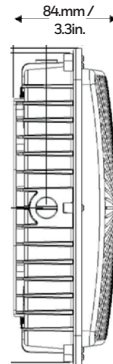
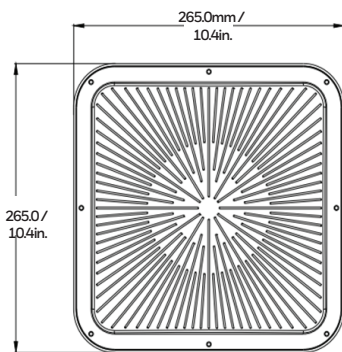
PHYSICAL DATA

Finish	White
Protection Level - IP	IP65
Dimensions (LxWxH)	265x265x84 mm
Type of Installation	Surface Mounted
Body Frame	Die Cast Aluminium
Optical Material	Diffuser PC
Operation Temperature	-40°C to +50°C

ELECTRICAL DATA

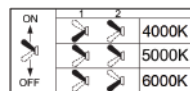
Input Power	40W, 60W, 80W
Power Switchable	YES
Operating Voltage	120-277 V
Frequency	50-60 Hz
Power Factor	>0.95
CRI	70

DIMENSIONS



Power Selector Switch

- C: 60W
- B: 80W
- A: 40W



CCT Selector Switch

LUMINOUS INTENSITY DISTRIBUTION

