

LED FLOOD LIGHT

HW-FL-01-10W



Outdoor

LED outdoor floodlight luminaire, slim, modern and moisture-resistant design, aluminum chassis, uniform light projection, reduces energy consumption and maintenance costs, installation surface-mounted with metal support. Includes a breather valve that dissipates moisture.

FEATURES

- Energy efficiency
- Long Lifespan
- No UV emissions
- High uniform lighting
- Anti Siphon Cable

APPLICATION

- Parks & Squares
- Facades
- Parking Lot
- Airport
- External Perimeter
- High Altitudes



IP65

LED



Indoor
Outdoor



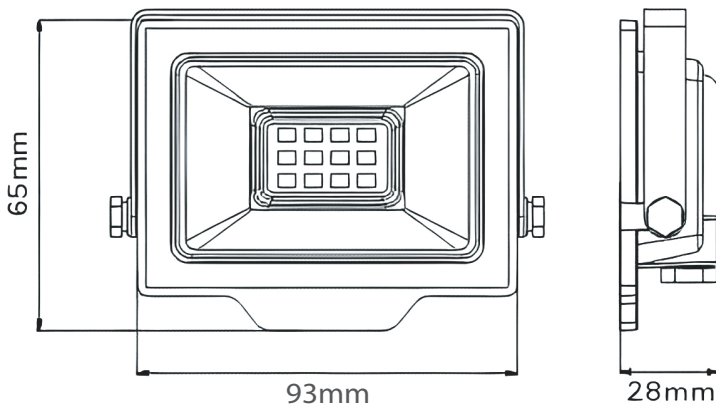
Save Money



Easy
Installation

OPTICAL DATA		PHYSICAL DATA		ELECTRICAL DATA	
Color Temperature (CCT)	3000K or 6000K	Finish	Black	Input Power	10W
CCT Switchable	NO	Protection Level - IP	IP65	Operating Voltage	100-277 V
Luminous Flux	930 Lm	Dimensions (LxWxH)	90x28x65mm	Frequency	50-60 Hz
Type of Distribution	Direct Symmetrical	Type of Installation	Wall or Ceiling Mount	Power Rating	>0.90
Beam Angle	120°	Body Frame	Aluminium	CRI	80
Efficiency	117 Lm/W	Optical Material	Glass	Dimmable	NO
		Operation Temperature	-20°C to +40°C		

DIMENSIONS



LUMINOUS INTENSITY DISTRIBUTION

