

LED FLOOD LIGHT

HW-FL-01-30W-CCT



Outdoor

LED outdoor floodlight luminaire, slim, modern and moisture-resistant design, aluminum chassis, uniform light projection, reduces energy consumption and maintenance costs, installation surface-mounted with metal support. Includes a breather valve that dissipates moisture.

FEATURES

- Energy efficiency
- Long Lifespan
- No UV emissions
- High uniform lighting
- Anti Siphon Cable

APPLICATION

- Parks & Squares
- Facades
- Parking Lot
- Airport
- External Perimeter
- High Altitudes

CE IP65 LED



Indoor
Outdoor



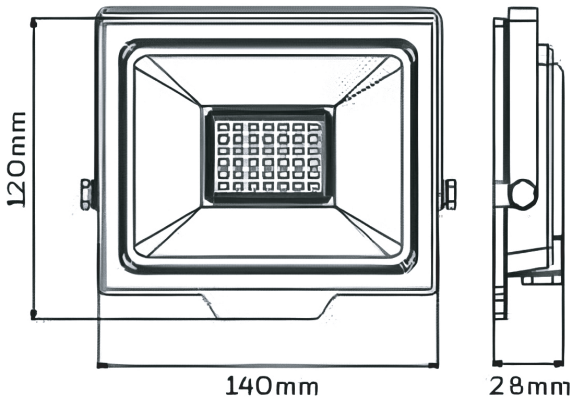
Multi Color
Temperature
(CCT)



Easy
Installation

OPTICAL DATA		PHYSICAL DATA		ELECTRICAL DATA	
Color Temperature (CCT)	3000K, 4000K, 6000K	Finish	Black	Input Power	30W
CCT Switchable	YES	Protection Level - IP	IP65	Operating Voltage	100-277 V
Luminous Flux	3210 Lm	Dimensions (LxWxH)	140x28x120mm	Frequency	50-60Hz
Type of Distribution	Direct Symmetrical	Type of Installation	Wall or Ceiling Mount	CRI	80
Beam Angle	120°	Body Frame	Aluminium	Dimmable	NO
		Optical Material	Glass		
		Operation Temperature	-20°C to +40°C		

DIMENSIONS



(CCT) Color Temperature Switch



LUMINOUS INTENSITY DISTRIBUTION

