

LED FLOOD LIGHT HW-FL-02-RGB



LED outdoor floodlight luminaire, slim, modern and moisture-resistant design, aluminum chassis, uniform light projection, reduces energy consumption and maintenance costs, installation surface-mounted with metal support. RGB color adjustment providing the color tone you

FEATURES

- Remote control included, RGB type.
- Energy efficiency
- No UV emissions
- Long Lifespan

APPLICATION

- Parks & Squares
- Facades
- Parking Lot
- Airport
- External Perimeter
- High Altitudes

Outdoor

CE IP65 LED



SPECIFICATIONS

Model	Power	CCT	Dimensions (LxWxH)	Remote Control	Use
HW-FL-02-10W-RGB	10W	RGB	110x28x90mm	YES	Indoor / Outdoor
HW-FL-02-50W-RGB	50W	RGB	175x28x140mm	YES	Indoor / Outdoor

OPTICAL DATA

Color Temperature (CCT)	RGB Color
Vented	YES
Type of Distribution	Direct Symmetrical
Beam Angle	120°

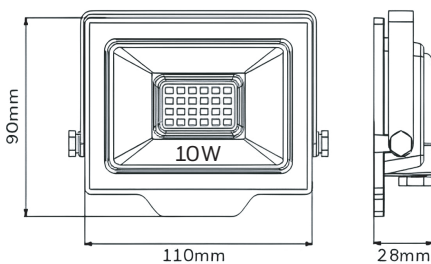
PHYSICAL DATA

Finish	Black
Protection Level - IP	IP65
Type of Installation	Wall or Ceiling Mount
Body Frame	Aluminium
Optical Material	Glass
Operation Temperature	-20°C to +40°C

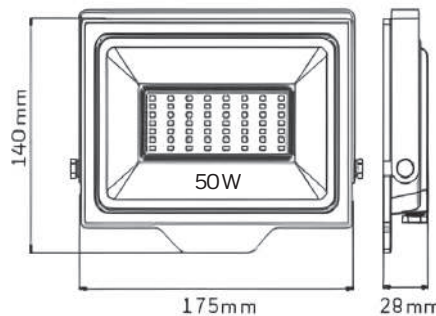
ELECTRICAL DATA

Operating Voltage	100-277 V
Frequency	50-60 Hz
CRI	80
Remote Control Included	YES
Dimmable	NO

DIMENSIONS



CCT RGB



LUMINOUS INTENSITY DISTRIBUTION

