

LED FLOOD LIGHT

HW-FL-03-100W-PS-CCT



Outdoor

LED luminaire for outdoor floodlights, slim, modern and resistant design, aluminum chassis, uniform light projection, reduces energy consumption and maintenance costs, surface mounting with metal bracket. The luminaire includes a breather valve that dissipates moisture.

FEATURES

- Powerful and ideal for working at heights
- IP66
- No UV emissions
- High uniform lighting

APPLICATION

- Residential
- Sidewalks
- Squares
- Airport
- External Perimeter
- High Altitudes



Multi Wattage Switchable



Multi Color Temperature (CCT)



Indoor
Outdoor



Easy Installation

SPECIFICATIONS

Model	Power Selectable	CCT	Luminous Flux	Dimensions (LxWxH)	Use
HW-FL-03-100W-PS-CCT	70W / 100W	3000K, 4000K, 6000K	12 700 Lm / 14 000 Lm	266x198x35mm	Indoor / Outdoor

OPTICAL DATA

CCT Switchable	YES
Type of Distribution	Direct Symmetrical
Beam Angle	110°
Efficiency	110 Lm / W
Connector	Plastic Injected Connector
Life Span	50 000 Hrs

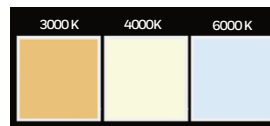
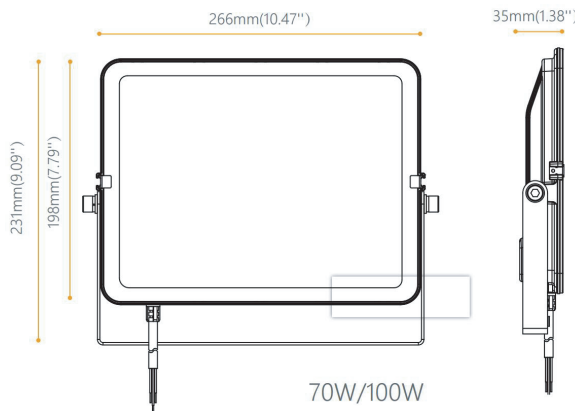
PHYSICAL DATA

Finish	Black
Protection Level - IP	IP66
Type of Installation	Wall or Ceiling Mount
Body Frame	Aluminium
Optical Material	Tempered Glass
Operation Temperature	-20°C to +40°C

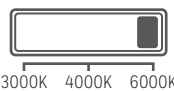
ELECTRICAL DATA

Power Selectable	YES
Operating Voltage	120-277 V
Frequency	50-60 Hz
Power Rating	>0.90
CRI	80
Dimmable	NO

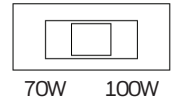
DIMENSIONS



(CCT) Color Temperature Switch



Power Selectable Switch



LUMINOUS INTENSITY DISTRIBUTION

