

LED LINEAR LIGHT

HW-LI01-40W-CCT



LED Linear luminaire, homogeneous light distribution without shadows, for a continuous, clean and simple lighting system. Modern and compact design with LED strip and opalized diffuser.

With 3 installation methods: hanging, surface-mounted, or recessed/Trimless

FEATURES

- 3 Color Switchable Selection 3000K/4000K/6500K
- 1.5 Mt Hanging Kit Adjustable
- Ability to operate in cold conditions.
- Design flexibility.
- General lighting for limited build-in height.
- Instant lighting and the ability to withstand frequent switching.

APPLICATION

- Offices
- Stores
- Residential
- Commercial Areas
- Educational Institutions
- And Others



LED



Multi Color Temperature (CCT)



Save Money



Eco Friendly

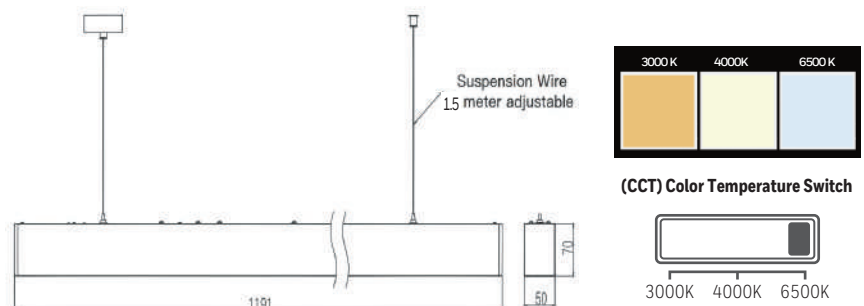


3 Type of Installation

Hanging, Surface & Recessed

OPTICAL DATA		PHYSICAL DATA		ELECTRICAL DATA	
Color Temperature (CCT)	3000K, 4000K, 6500K	Finish	Black/White	Input Power	40W
Luminous Flux	4000 Lm	Protection Level - IP	IP20	Driver Type	Isolated Driver
Beam Angle	110°	Dimensions (LxWxH)	1191x50x70 mm	Operating Voltage	100-277 V
Type of Distribution	Direct Symmetrical	Type of Installation	3 Type of Installation	Frequency	50-60 Hz
Efficiency	100 Lm/W	Body Frame	Aluminium	CRI	80
		Optical Material	PMMA	Operation Temperature	-20°C to +40°C

DIMENSIONS



Select one of the following 3 installation methods:



LUMINOUS INTENSITY DISTRIBUTION

