

LED PANEL LIGHT

HW-P2X4-05-60W-CCT

Backlit Panel Certified, with high uniform lighting performance. CCT selectable switch.



FEATURES

- Backlit design without LGP, No risk of yellowing.
- Energy efficiency
- THD > 20%
- No UV emissions
- High uniform lighting
- 3 CCT Selectable: 3000K, 4000K, 6000K could be adjusted with a switch

APPLICATION

- Classroom
- Office
- Meeting Room
- Shopping Mall
- Commercial Areas
- Hospitality and retail areas



Life Span
50,000 H

LED



Multi Color
Temperature
(CCT)



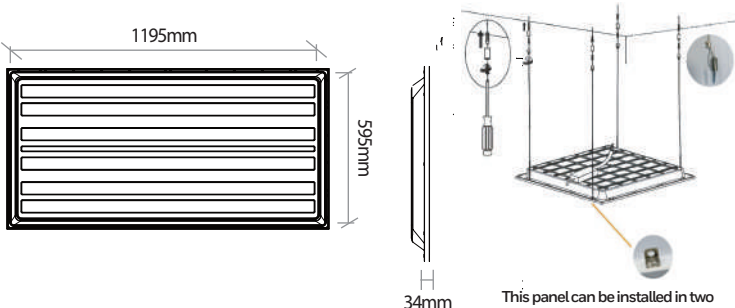
Easy
Installation



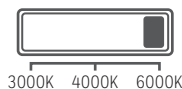
Save Money

OPTICAL DATA		PHYSICAL DATA		ELECTRICAL DATA	
Color Temperature (CCT)	3000K, 4000K, 6000K	Finish	White	Input Power	60W
CCT Switchable	YES	Protection Level - IP	IP20	Operating Voltage	120-277 V
Luminous Flux	6600, 7400, 7000Lm	Dimensions (LxWxH)	1.195x0.595x0.034m	Frequency	50-60 Hz
Type of Distribution	Direct Symmetrical	Type of Installation	Recessed or Hanging	Power Rating	>0.90
Beam Angle	120°	Body Frame	Aluminium	CRI	80
Efficiency	117 Lm / W	Optical Material	Diffuser PS	Dimmable	NO
Life Span	50000 Hrs	Operation Temperature	0°C to +40°C		

DIMENSIONS



(CCT) Color Temperature Switch



LUMINOUS INTENSITY DISTRIBUTION

