

UFO HIGHBAY

HW-UFO-01-100W-PS-CCT



Power Selectable: 3-IN-ONE, 60W, 80W, 100W
 3 CCT Selectable: 3000K, 4000K, 6000K
 3 beam angles Selectable: 60°, 90°, 110° with zommable optic design by simple rotation
 Tool free Installation and Maintenance
 The ripple-like lens cover diffuses the dazzling light generated by individual LEDs.

FEATURES

- Built in high luminous efficiency LED Chip and Driver.
- Fast connection
- IP65
- Adjustable Beam Angle

APPLICATION

- Factory Workshop
- Warehouse
- Parking Lot
- Conference Room
- Storage Room
- Sports Field

Indoor



CE IP65



Multi Beam Angle Switchable



Multi Wattage Switchable

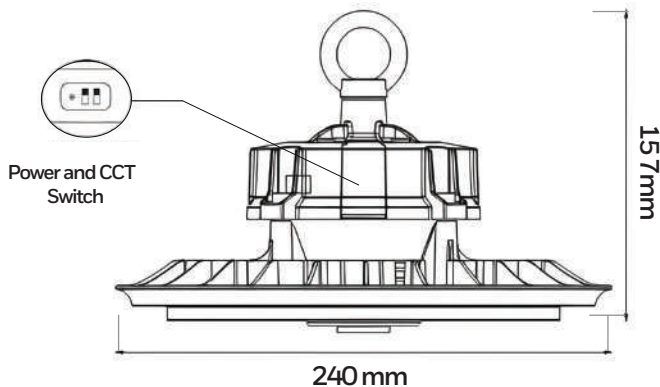


Multi Color Temperature (CCT)

OPTICAL DATA		PHYSICAL DATA		ELECTRICAL DATA	
Color Temperature (CCT)	3000K, 4000K, 6000K	Finish	Black	Input Power	60W, 80W, 100W
Luminous Flux	10890, 13200, 16500 Lm	Protection Level - IP	IP 65	Power Switchable	YES
Beam Angle	60°, 90°, 110° Adjustable	Dimensions	240X157 mm	Operating Voltage	100-277V
Type of Distribution	Direct Symmetrical	Type of Installation	Hanging, Ceiling, Wall	Frequency	50-60 Hz
Optical Material	Diffuser PC	Body Frame	Aluminium	Power Factor	>0.9
Life Span	50 000 Hrs	Weight	1.56 kg	CRI	80
		Operation Temperature	-30°C to +45°C	Dimmable	NO

DIMENSIONS

ADDITIONAL INFORMATION

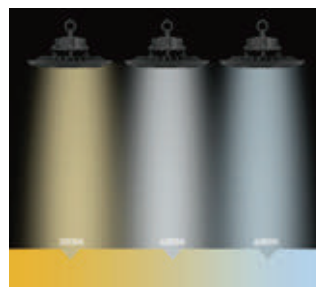
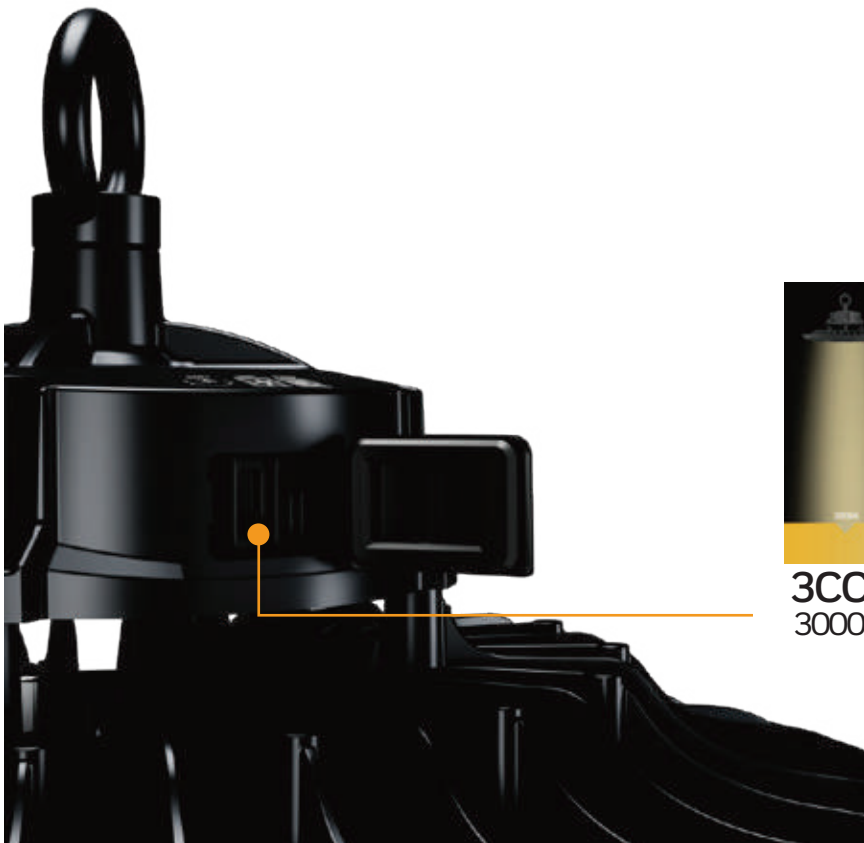


New heat dissipation system to ensure long lifetime

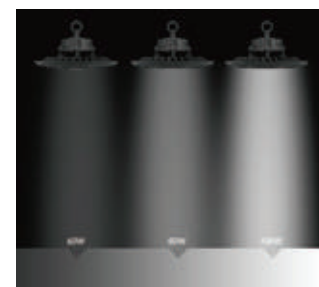


UFO HIGHBAY

HW-UFO-01-100W-PS-CCT



3CCT Selectable
3000K, 4000K, 6000K



3 Power-in-1
60W/80W/100W
selectable

Rotate the lens to change the beam Angle

