

## LED WALL LAMP

HW-WP-01-PS-CCT



Rugged, die-cast housing with advanced thermal management system ensures reliability and durability. Weather-proof, gasketed driver compartment protects electronics against environmental elements.

Tunable CCT for 4000K, 5000K, 6000K, Color Temperature Options

Anti-UV Prismatic Translucent Lens Designed to Shape the Light Distribution and Uniformity. Mounting via J-box or Surface Conduit.

Casting Thermally Conducts LED Heat to Optimize Performance and Long Life

Pre-Installed Photocell Sensor

### FEATURES

- Built in high luminous efficiency LED Chip and Driver.
- 3 Level Power Switchable
- Fast connection
- IP65

### APPLICATION

- Industrial Areas
- Schools
- Sidewalks
- Residential

Outdoor



PHOTOCELL  
SENSOR



Multi Wattage  
Switchable



Multi Color  
Temperature  
(CCT)



Easy  
Installation



Water  
Proof

### OPTICAL DATA

Color Temperature (CCT)	4000K, 5000K, 6000K
Lumens	2,359 lm / 3,213 lm / 4,480 lm
Beam Angle	100°
Type of Distribution	Direct Symmetrical
Life Span	50,000 Hrs
Weight	0.52 kg

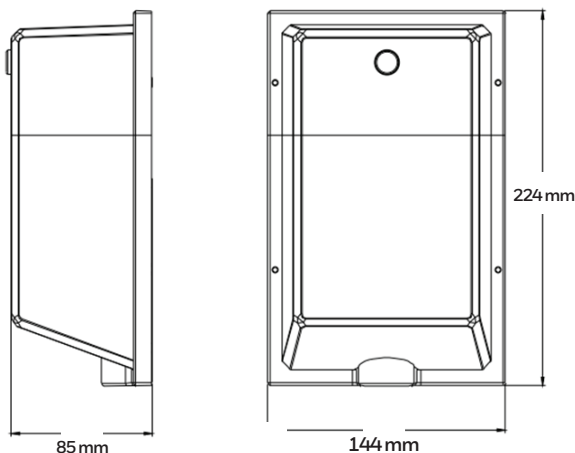
### PHYSICAL DATA

Finish	Black
Protection Level - IP	IP65
Dimensions	144x224x85mm
Type of Installation	Surface Mounted
Body Frame	Die-Cast Aluminium
Optical Material	Diffuser PC
Operation Temperature	-40°C to +50°C

### ELECTRICAL DATA

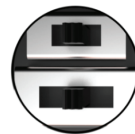
Input Power	15W, 20W, 30W
Power Switchable	YES
Operating Voltage	120-277 V
Frequency	50-60 Hz
Power Factor	>0.95
CRI	70

### DIMENSIONS



### LUMINOUS INTENSITY DISTRIBUTION

Power Selector Switch



CCT Selector Switch

